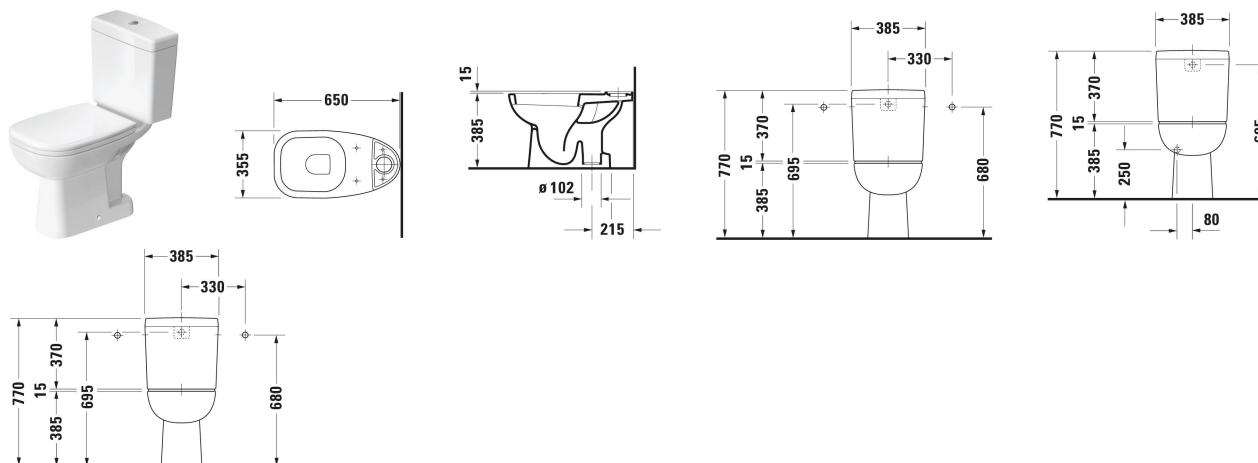


D-Code Toilet close-coupled # 211101..002 / 211101..002

| < 355 mm > |



Toilet close-coupled	Dimension	Weight	Order number
Flush water quantity: 6/3 l, Washdown model, Flushing rim: Open, Outlet drain: vertical, Position outlet: Back, Bottom, Incl. cistern: No, Flush principle: washdown model, For bowl mounted cistern, Incl. mounting material, Unified Water Label (UWL) Class: 2			
Colors			
00 White Alpin 20 HygieneGlaze (an antibacterial ceramic glaze that provides almost indefinite effectiveness)			
Variant			
♣ White High Gloss, Flush water quantity: 6 l, Flushing rim: Semi-open		22.000 kg	211101..002
♣ White High Gloss, HygieneGlaze, Flush water quantity: 6 l, Flushing rim: Semi-open		22.000 kg	211101..002
Accessory			
Conversion set	220 x 250 mm	0.999 kg	007624
Suitable products			
Toilet seat Automatic close: Yes, Hinge material: Plastic, 359 x 443 mm	359 x 443 mm		006739
Toilet seat Automatic close: No, Hinge material: Stainless steel, 360 x 430 mm	360 x 430 mm		006731
Cistern Flush water quantity: 6/3 l, Incl. mechanism, Dual Flush, Water connection position: Right, Left 3/8", Surface of push button: Chrome, Concealed connection, Unified Water Label (UWL) Class: 2, 390 x 175 mm	390 x 175 mm		092700

D-Code Toilet close-coupled # 211101..002 / 211101..002

|< 355 mm >|

Cistern Flush water quantity: 6/3 l, Incl. mechanism, Dual Flush,
Water connection position: Bottom left, Surface of push button: 390 x 175 mm
Chrome, Concealed connection, Unified Water Label (UWL)
Class: 2, 390 x 175 mm

092710

All drawings contain the necessary measurements which are subject to standard tolerances. They are stated in mm and are non-binding. Exact measurements, in particular for customised installation scenarios, can only be taken from the finished piece.